

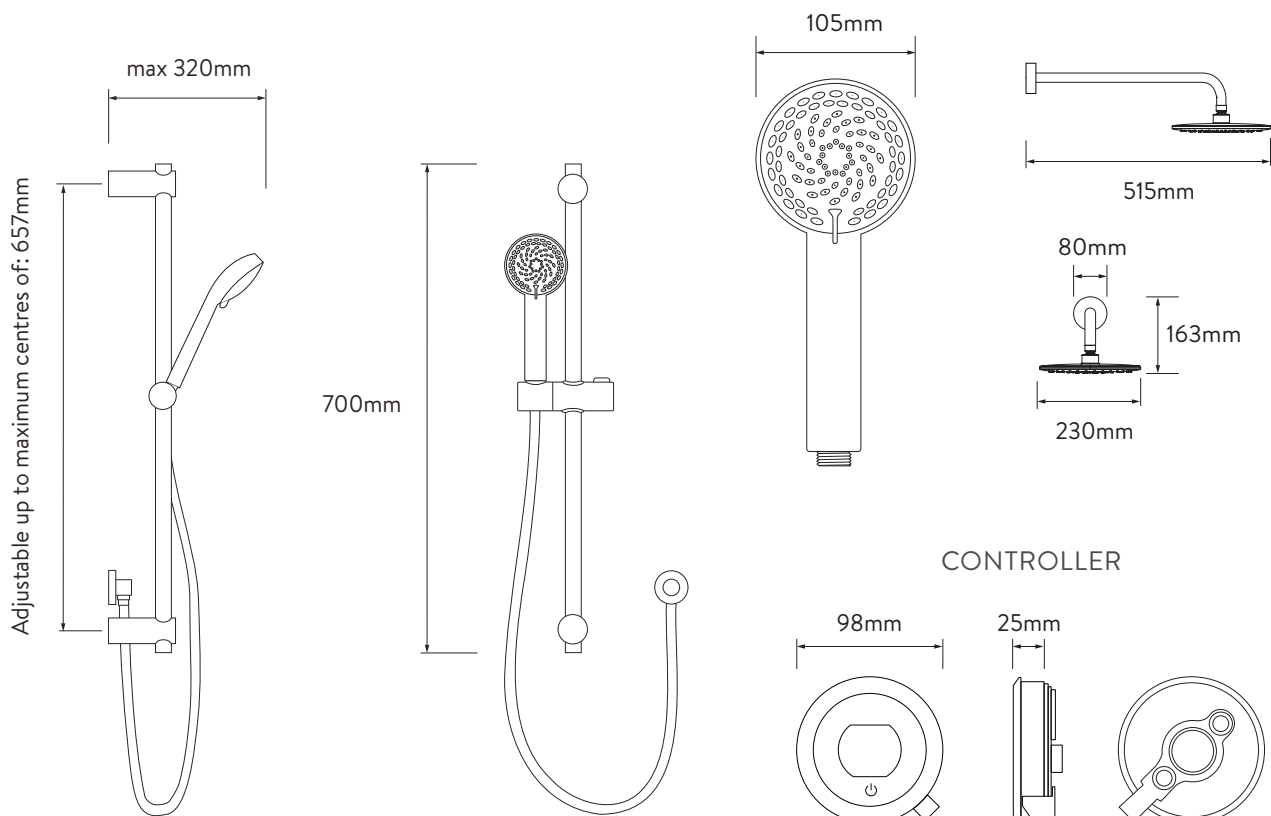
AQUALISA

QUARTZ TOUCH™ DUAL OUTLET CONCEALED

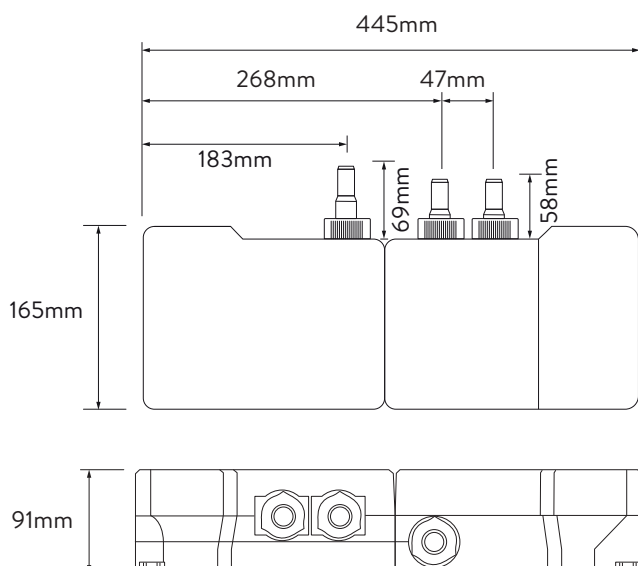
QZST.A2.BV.
DVFW.20

WITH ADJUSTABLE HEAD AND WALL FIXED
DRENCHER - GRAVITY PUMPED

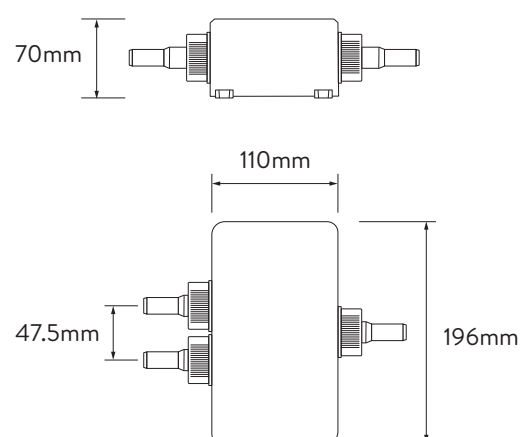
DIMENSIONAL DRAWINGS



AQUALISA SMARTVALVE™



DIVERTER



AQUALISA

QUARTZ TOUCH™

DUAL OUTLET CONCEALED

QZST.A2.BV.
DVFW.20

WITH ADJUSTABLE HEAD AND WALL FIXED
DRENCHER - GRAVITY PUMPED

TECHNICAL SPECIFICATIONS

Minimum pressure requirements	Aqualisa SmartValve™ must be sited no higher than the base level of the cold water system (Gravity Pumped)
Maximum pressure requirements	1 bar (Gravity)
Aqualisa SmartValve™ inlet fitting connections	15mm push fit fittings, valve inlet centres 48mm, inlet supply positions – hot right, cold left
Aqualisa SmartValve™ outlet fitting connection	15mm push fit
Permissible Aqualisa SmartValve™ siting location	Loft, airing cupboard, under bath
Supply temperature	Cold inlet temperature 1°C (minimum) Cold inlet temperature 15°C (maximum) Hot inlet temperature 65°C (maximum)
Water system	Gravity
Features	Proximity sensor (to wake controller up)
	Large rotary temperature ring
	Digital display system
	Unique lever control
	User definable shower profiles / experiences (available via the Aqualisa app)
	Warm and ready indicator
	Optical on off switch
	Magnetically damped lever
	105mm, 4 spray patterns (adjustable head) including eco-spray option
	On installation, you can select the shower outlet you want to start first every time
	Digital diverter technology
	Wi-Fi & App compatible – control your product with your smart phone and smart home device e.g. Alexa, Google
	App functions include start/stop, set your flow and temperature, shower timer, user dashboard, usage tracker and help & support
Aqualisa SmartValve™	
Optional wireless rechargeable remote control	
Guarantee period	5-year guarantee - shower unit
	2-year guarantee - shower head and kit
Approvals	CE Marking
	BEAB